



Pull Side Fitting TS.9205 & SA1.1

TEL: +44 (0) 1246 261 491 | www.rutlanduk.co.uk

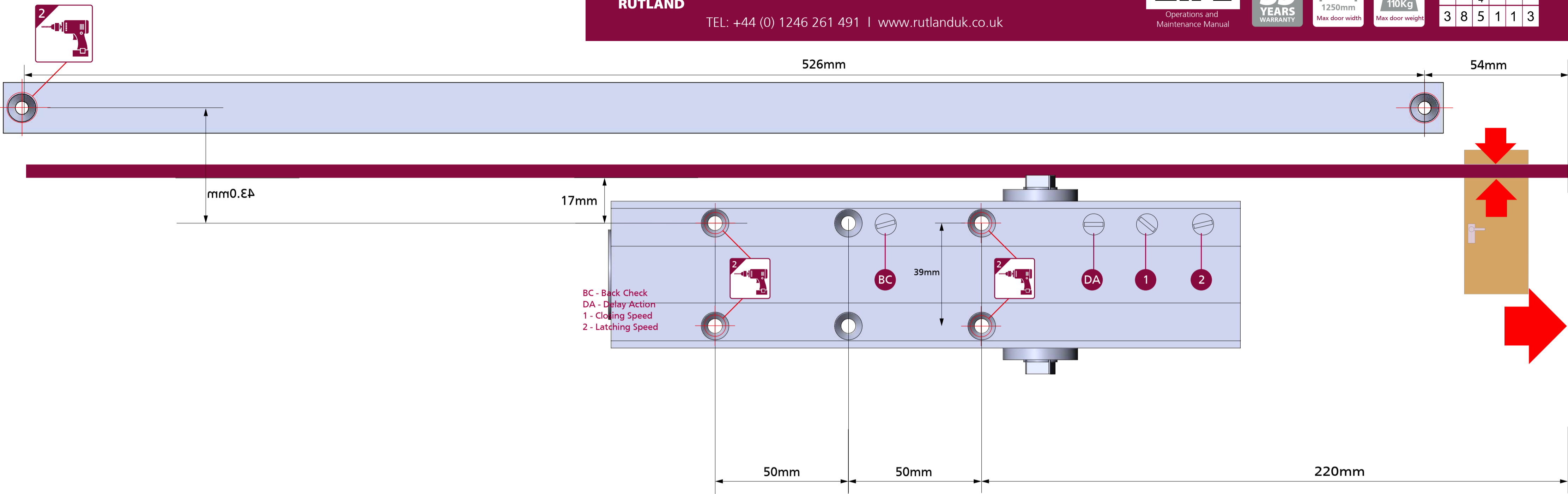


Operations and Maintenance Manual



BS EN 1154

4	8	2	1	1	3
3	8	5	1	1	3



EN 2 - 5 Power Size

No of turns	EN Size	Max door width	Open Angle	Max weight
-3	2 ^A	850mm	110°	45
0*	3	950mm	110°	60
+4	4	1100mm	110°	80
+7	5	1250mm	110°	110

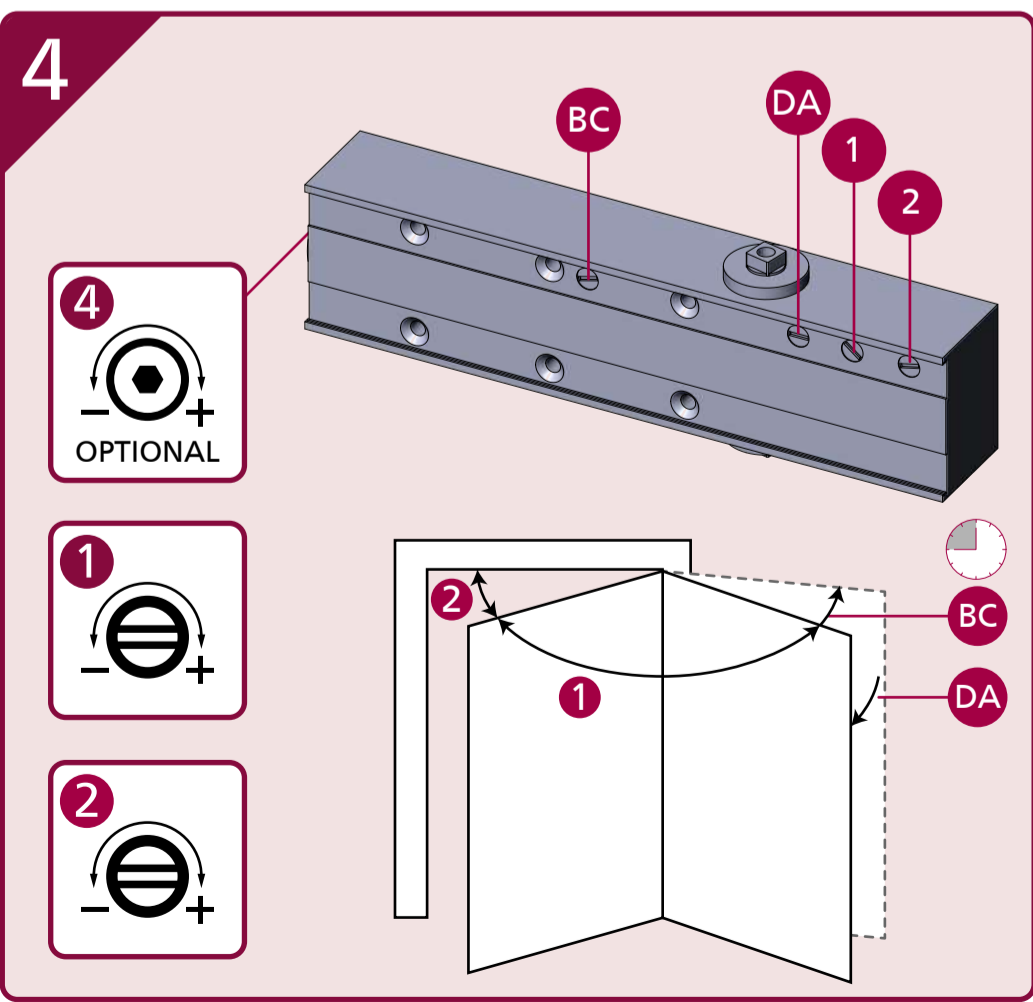
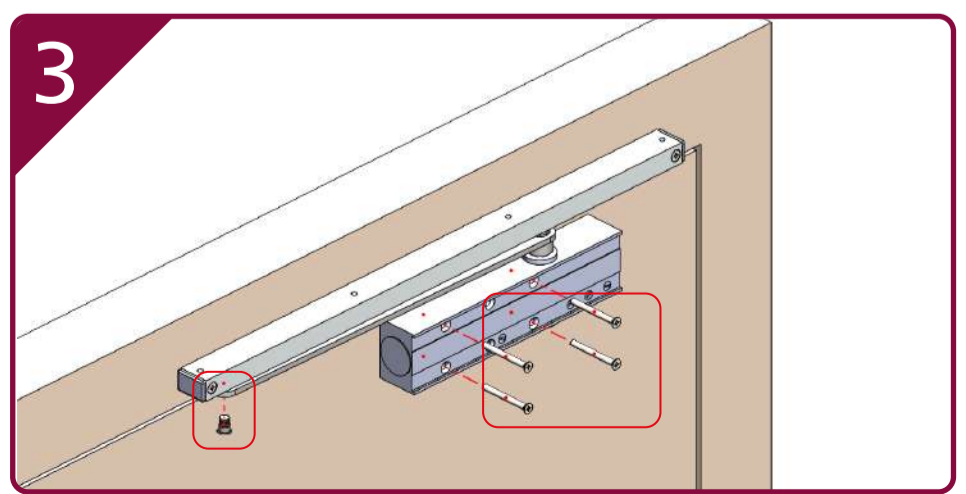
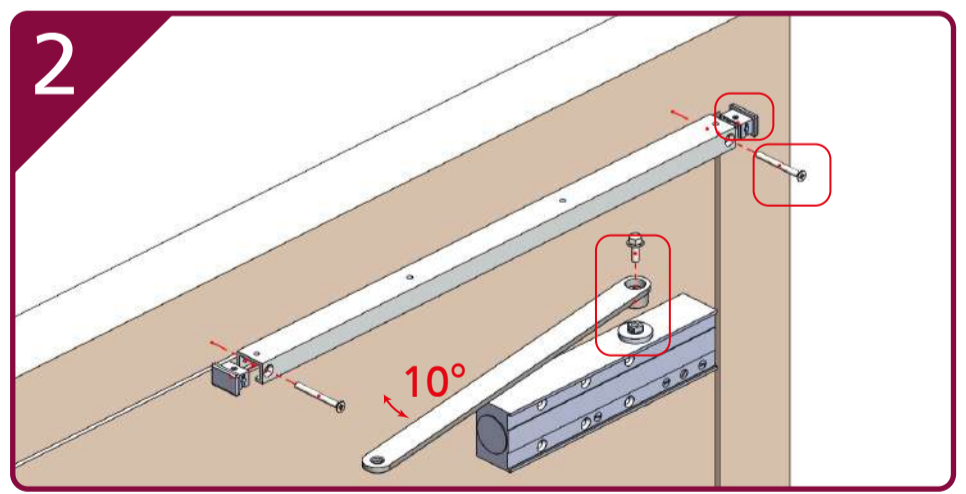
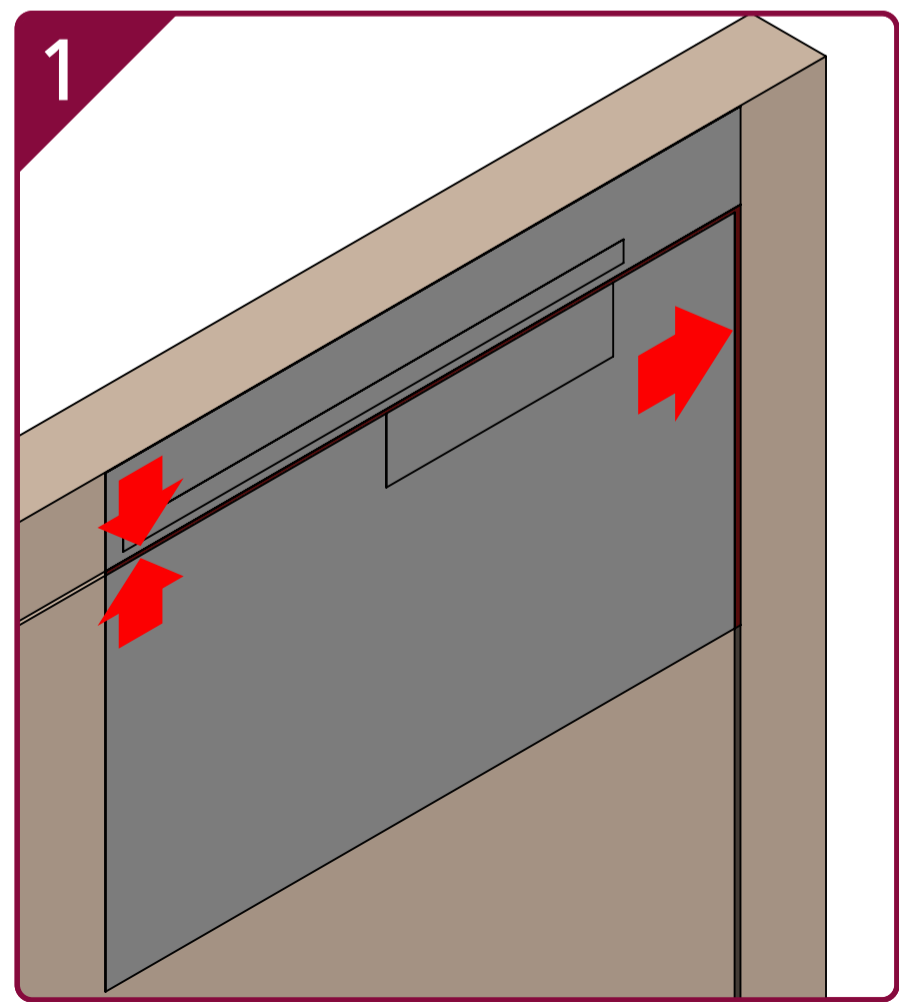
*FACTORY PRE-SET
A - EN2 NOT SUITABLE FOR FIRE DOOR

IMPORTANT NOTES:
DELAYED ACTION & BACK CHECK (DABC) VALVES ARE NOT STANDARD, THESE ARE OPTIONAL.
FOR UNINSULATED STEEL DOORS IP.95M MUST BE USED.
THE PINION BOLT MUST BE TIGHTENED TO 12Nm.

A MECHANICAL DOOR CLOSER IS NOT DESIGNED TO OVERCOME POOR FITTING, EXCESSIVE AIR PRESSURES OR BINDING SMOKE AND WEATHER SEALS. EXCESSIVE AIR PRESSURES CAN BE CREATED BY THROUGH DRAFT, BY AIR CONDITIONING, BY SMALL ROOMS WITHOUT VENTILATION, OR WHERE NO AIR TRANSFERS GRILLS ARE FITTED. MECHANICAL DOOR CLOSERS ARE DESIGNED TO CLOSE THE STATED AND TESTED SPECIFICATION OF DOOR WEIGHT AND DOORSETS/DOOR ASSEMBLIES WHEN DOORS ARE FITTED WITH CORRECT GAPS AND NOT BINDING ON SEALS. IF YOU ENCOUNTER PROBLEMS WITH DOORS NOT CLOSING PLEASE WATCH OUR "6 WAYS TO TROUBLESHOOT A DOOR CLOSER" VIDEO ONLINE. WHERE DOORS ARE NOT CLOSING DUE TO AIR PRESSURES THEN PROFESSIONAL ADVICE FROM AN AUTHORISED INSTALLER IS RECOMMENDED TO FIT TESTED AND THIRD PARTY CERTIFIED AIR TRANSFER GRILLS AND/OR AUTOMATIC DOOR OPERATORS.

NOTE: BC VALVES ARE DESIGNED TO ASSIST BACK-CHECK AND DO NOT REPLACE THE REQUIREMENT FOR CORRECTLY FITTED DOORSTOPS OR SAFETY BARRIERS.

FURTHER WARRANTY INFORMATION: <https://www.rutlanduk.co.uk/rutland-warranty>





Pull Side Fitting TS.v9205 & SA1.1

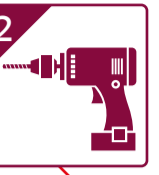
TEL: +44 (0) 1246 261 491 | www.rutlanduk.co.uk



BS EN 1154

4	8	2 1/4	1	1	3
3	8	5	1	1	3

PRINT TO A2 PAPER SIZE FOR 1:1 SCALE

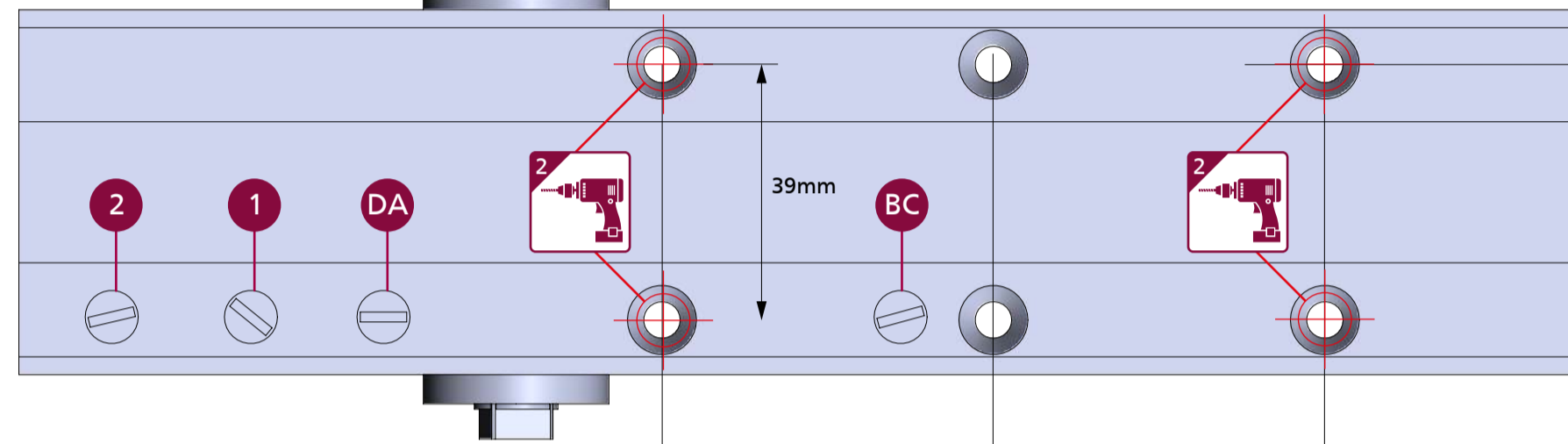


54mm

526mm

17mm

43.0mm



BC - Back Check
 DA - Delay Action
 1 - Closing Speed
 2 - Latching Speed

220mm

50mm

50mm

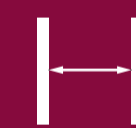
EN 2-5 Power Size



No of turns



EN Size



Max door width



-5	2	850mm	180°
*0	3	950mm	180°
+5	4	1100mm	180°
+9	5	1250mm	110°

*FACTORY PRE-SET

IMPORTANT NOTES:
 DELAYED ACTION & BACK CHECK (DABC) VALVES ARE NOT STANDARD, THESE ARE OPTIONAL.
 FOR UNINSULATED STEEL DOORS IP.95M MUST BE USED.
 THE PINION BOLT MUST BE TIGHTENED TO 12Nm.

A MECHANICAL DOOR CLOSER IS NOT DESIGNED TO OVERCOME POOR FITTING, EXCESSIVE AIR PRESSURES OR BINDING SMOKE AND WEATHER SEALS. EXCESSIVE AIR PRESSURES CAN BE CREATED BY THROUGH DRAFT, BY AIR CONDITIONING, BY SMALL ROOMS WITHOUT VENTILATION, OR WHERE NO AIR TRANSFERS GRILLS ARE FITTED. MECHANICAL DOOR CLOSERS ARE DESIGNED TO CLOSE THE STATED AND TESTED SPECIFICATION OF DOOR WEIGHT AND DOORSETS/DOOR ASSEMBLIES WHEN DOORS ARE FITTED WITH CORRECT GAPS AND NOT BINDING ON SEALS. IF YOU ENCOUNTER PROBLEMS WITH DOORS NOT CLOSING PLEASE WATCH OUR "6 WAYS TO TROUBLESHOOT A DOOR CLOSER" VIDEO ONLINE. WHERE DOORS ARE NOT CLOSING DUE TO AIR PRESSURES THEN PROFESSIONAL ADVICE FROM AN AUTHORISED INSTALLER IS RECOMMENDED TO FIT TESTED AND THIRD PARTY CERTIFIED AIR TRANSFER GRILLS AND/OR AUTOMATIC DOOR OPERATORS.
 NOTE: BC VALVES ARE DESIGNED TO ASSIST BACK-CHECK AND DO NOT REPLACE THE REQUIREMENT FOR CORRECTLY FITTED DOORSTOPS OR SAFETY BARRIERS.

FURTHER WARRANTY INFORMATION: <https://www.rutlanduk.co.uk/rutland-warranty>

