

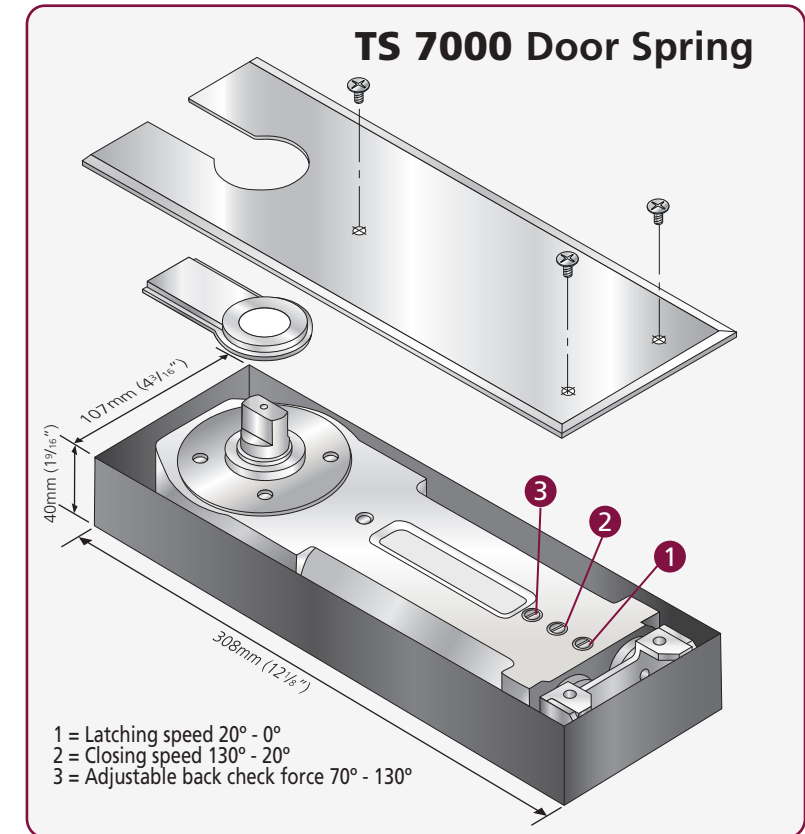


# TS 7000 Door Spring

PS180 Double Action & PS170 Single Action Kits

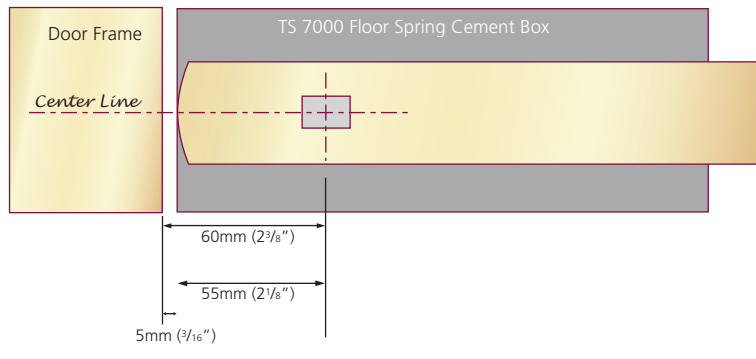
CE 703.1  
1121  
BS EN 1154  
4 8 3 1 1 3

www.rutlanduk.co.uk

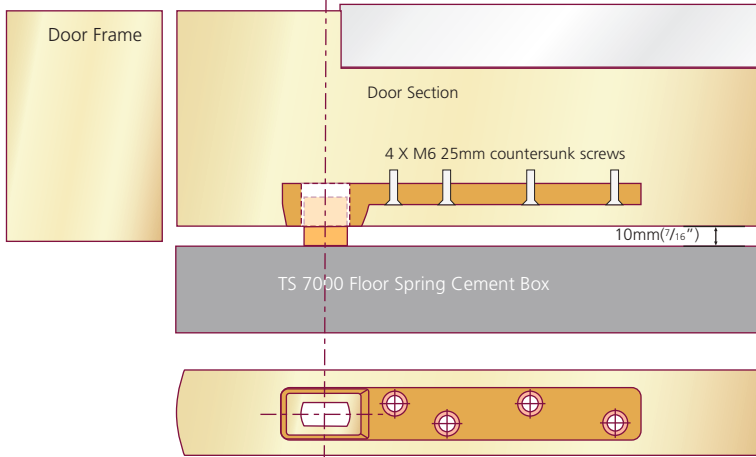


## PS 180 Double Action Door Kit

### 1 Fit Cement Box (Plan View)

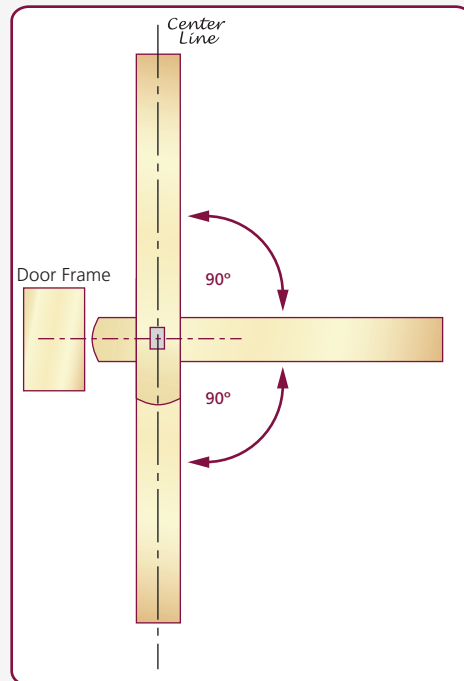
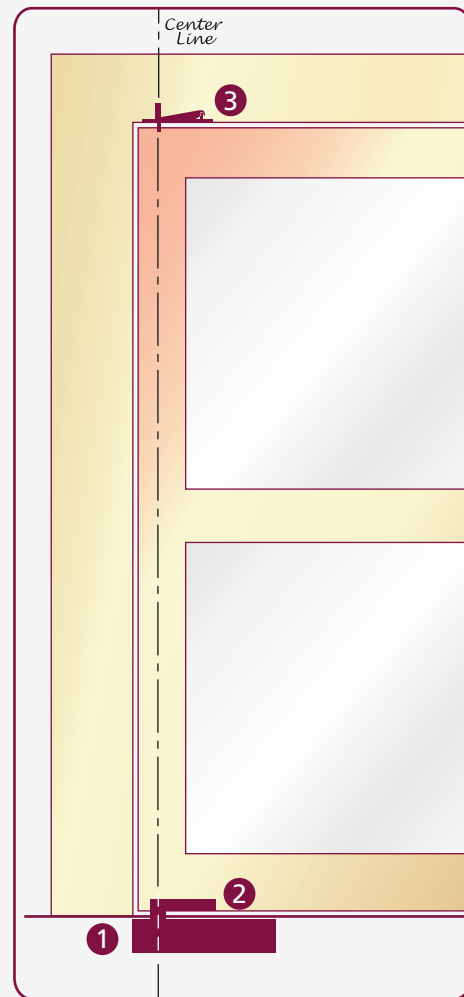
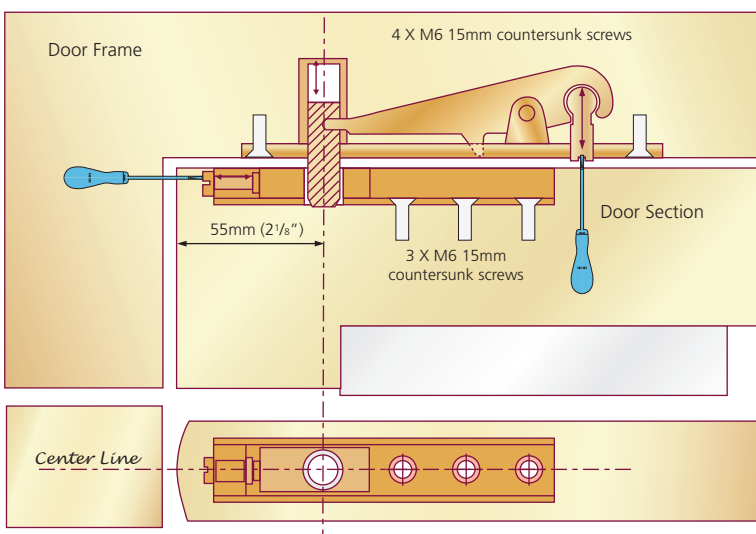


### 2 Bottom Door Fitting (Side View)



Bottom Door Fitting (Bottom View)

### 3 Top Door Fitting (Side View)

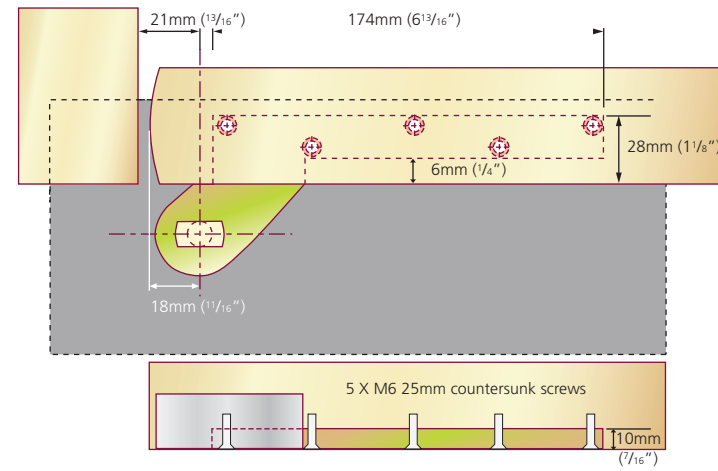


## 2-4 Power Adjustment

Model/Unit	EN Size	Max. weight kg	Max. door width	Max. opening angle
TS 7002	2	70	850mm	130°
TS 7003	3	105	950mm	130°
TS 7004	4	150	1150mm	130°

## PS 170 Single Action Door Kit

### 1 Fit Cement Box and bottom hinge (Plan View)



### 2 Fit top hinges to door and door frame

