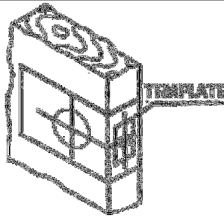
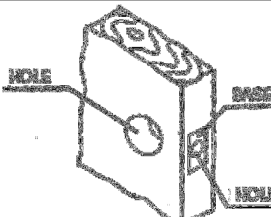
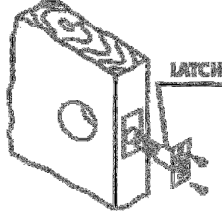
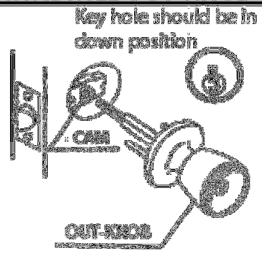
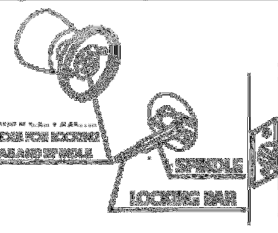
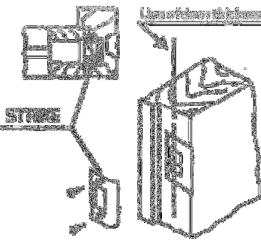
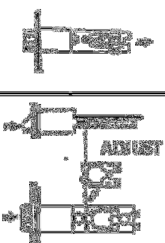
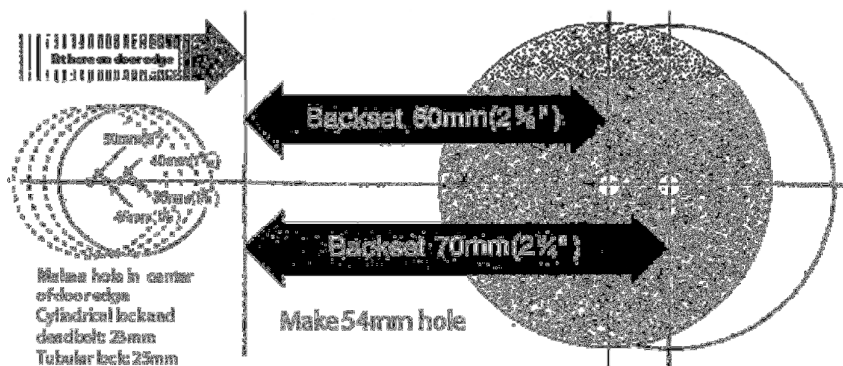


# FITTING INSTRUCTIONS FOR INSTALLATION OF ZANDA JURA DOOR FURNITURE ONLY

## HOW TO INSTALL THIS TUBULAR LOCK

| 1. MARK DOOR   | 2. BORE HOLES   | 3. INSTALL LATCH   | 4. INSTALL OUT-KNOB  |
|--|---|--|--|
|  <p style="text-align: center;">Mark site of lock and bore.</p>           |  <p style="text-align: center;">Bore the holes through door<br/>Cut out base</p> |    |  <p style="text-align: center;">Key hole should be in<br/>down position</p> |
| 5. INSTALL IN-KNOB   | 6. INSTALL STRIKE   | INSTRUCTION FOR ADJUSTABLE LATCH   |  |
|  <p style="text-align: center;">HERE FOR LOCKING<br/>BAR AND SPINDLE</p> |  <p style="text-align: center;">Use of heavy file to remove</p>                 |  <p style="text-align: center;">ADJUST PART</p>   |  |
|  |   | <p>The cam is pushed fully to the right for 70mm (2 3/4") backset. (During the adjustment, keep two teeth of the cam to forward always.)</p> <p>Push the latch inward, take off the adjust part for 70mm (2 3/4") backset.</p> |  |

### PAPER MARKER



**THIS TEMPLATE MAY SHRINK OR STRETCH.  
CHECK DIMENSIONS SHOWN ON THIS SHEET**